

# Differential pressure gauge

## Nominal size 63

### Model A2G-mini

WIKA data sheet PM 07.43



#### Applications

- For monitoring the differential pressure of air and dry, clean and non-aggressive gases
- Differential pressure monitoring in filters
- Overpressure monitoring in cleanrooms
- For very low pressures

#### Special features

- Optimal readability with minimal space requirements
- Available as a built-in or add-on version
- All-metal design (built-in version)
- Simple and quick mounting
- Silicone-free



Differential pressure gauge with mounting bracket, model A2G-mini

#### Description

The model A2G-mini differential pressure gauge is used for monitoring differential pressures of the filter units in small and medium-sized central air-handling units. Further application cases are in industrial air extraction units and dust extraction plants as well as in the cleanroom industry. Its compact design and flush panel mounting enable an optimal integration in the enclosure structures of ventilation equipment.

The pure metal design of the built-in version – with the case from stainless steel and the measuring system and movement from copper alloy – ensures maximum hygiene. Due to its silicone-free materials the instrument can also be used in the painting industry and its applications.

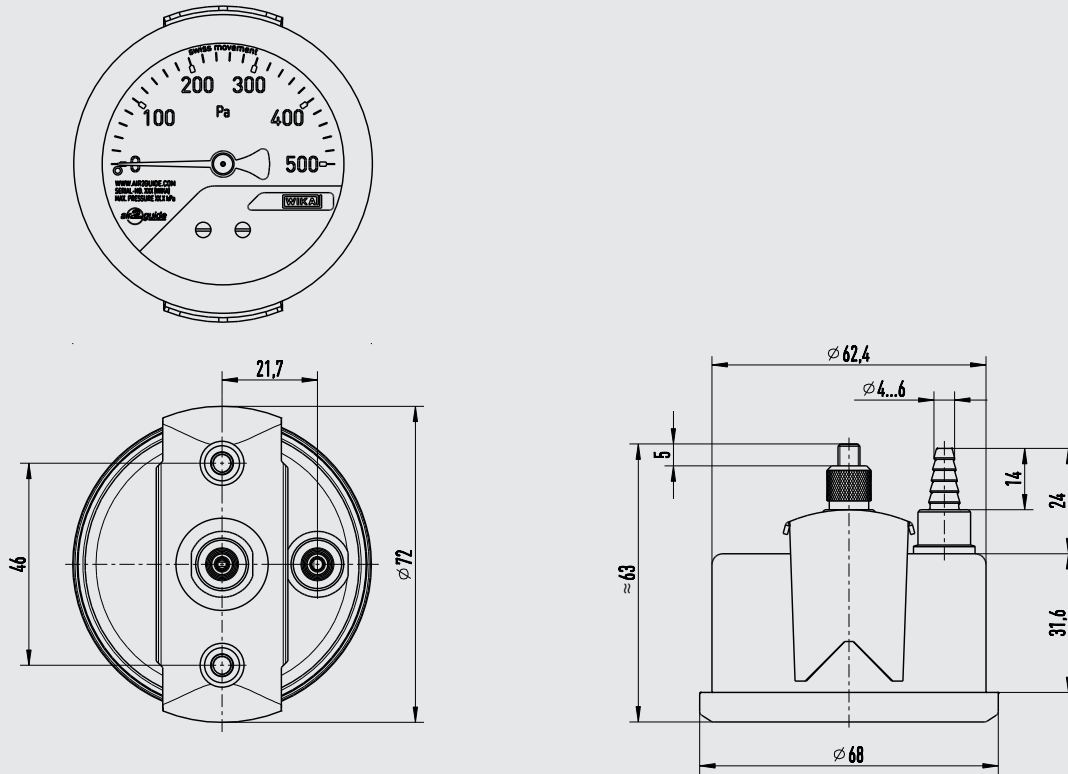
The high IP68 ingress protection and the UV-stabilised window also enable operation in outdoor areas.

## Specifications

Differential pressure gauge, model A2G-mini	Built-in version	Add-on version
<b>Version</b>	<ul style="list-style-type: none"> <li>■ Built-In version</li> <li>■ Add-on version</li> </ul>	
<b>Nominal size in mm</b>	63	
<b>Measuring range</b>	<ul style="list-style-type: none"> <li>■ 0 ... 250 Pa</li> <li>■ 0 ... 400 Pa</li> <li>■ 0 ... 500 Pa</li> <li>■ 0 ... 750 Pa</li> <li>■ 0 ... 1,000 Pa</li> <li>■ 0 ... 1,250 Pa</li> <li>■ 0 ... 1,500 Pa</li> <li>■ 0 ... 2,000 Pa</li> <li>■ 0 ... 2,500 Pa</li> <li>■ 0 ... 3,000 Pa</li> <li>■ 0 ... 4,000 Pa</li> <li>■ 0 ... 5,000 Pa</li> <li>■ 0 ... 6,000 Pa</li> <li>■ 0 ... 7,000 Pa</li> <li>■ 0 ... 8,000 Pa</li> <li>■ 0 ... 9,000 Pa</li> <li>■ 0 ... 10,000 Pa</li> </ul>	
<b>Accuracy</b>	±5 %	
<b>Process connection</b>	Back mount	Lower mount
	For hoses with inner diameter 4 ... 6 mm	
<b>Pressure limitation</b>	Steady: Full scale value Fluctuating: 0.9 x full scale value	
<b>Temperature effect</b>	When the temperature of the measuring system deviates from the reference temperature (+20 °C [+68 °C]): Max. ±0.5 %/10 K of full scale value	
<b>Material</b>		
Case	Stainless steel	
Case bottom	-	Plastic
Front bezel	<ul style="list-style-type: none"> <li>■ Steel, black painted (other colours on request)</li> <li>■ Stainless steel</li> </ul>	Steel, black painted
Window	Plastic, transparent	
Process connection	Copper alloy	Plastic
Dial	Aluminium, scale angle 180°	
Pointer	Aluminium, black	
Movement, pressure element	Copper alloy	
<b>Premissible temperatures</b>		
Medium	Max. 60 °C [140 °F]	
Ambient	-20 ... +60 °C [-4 ... +140 °F]	
<b>Ingress protection per IEC/EN 60529</b>	IP68	
<b>Weight</b>	200 g	
<b>Mounting</b>	By means of mounting bracket	By means of mounting lugs

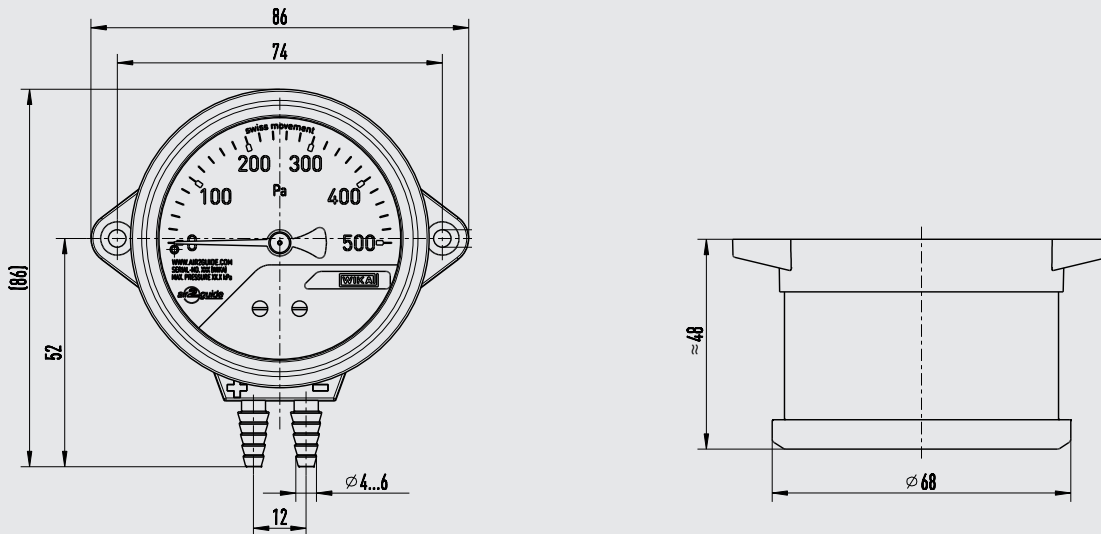
## Dimensions in mm

### Built-in version with mounting bracket, back mount





40409102.02

### Add-on version with mounting lugs, lower mount



40424660.02

## Accessories

Description	Order number
 <b>Measuring hoses</b> PVC hose, inner diameter 4 mm, roll at 25 m PVC hose, inner diameter 6 mm, roll at 25 m Silicone hose, inner diameter 4 mm, roll at 25 m Silicone hose, inner diameter 6 mm, roll at 25 m	
	40217841
	40217850
	40208940
 <b>Duct connectors for measuring hoses Ø 4 ... 6 mm</b>	40208958
	40217507

### Ordering information

Model / Version / Scale range / Options

© 03/2017 WIKA Alexander Wiegand SE & Co. KG, all rights reserved.  
The specifications given in this document represent the state of engineering at the time of publishing.  
We reserve the right to make modifications to the specifications and materials.



**WIKAL Alexander Wiegand SE & Co. KG**  
Alexander-Wiegand-Straße 30  
63911 Klingenberg/Germany  
Tel. +49 9372 132-0  
Fax +49 9372 132-406  
info@wika.de  
www.wika.de